

Thermoplastic Couplings

PPM & PPL Series

Quick Connections with a “CLICK”

Parker Hannifin's new push-button couplings combine the advantages of thermoplastic material with the traditional flow functions found in metal couplings. With the intuitive push-button latch, users can quickly operate the coupling. Also, users can feel confident in knowing the connection has been made. The audible “CLICK” sound assures a proper connection.

Thermoplastic couplings are easier to handle due to the lighter weight material. Additionally, plastic allows the coupling to be resistant to many chemicals. With our new push button couplings, users have a quick and easy way to make solid connections.



Contact:

Parker Hannifin Corporation
Quick Coupling Division
8145 Lewis Road
Minneapolis, MN 55443

phone 763 544 7781
fax 763 544 3418
qcd_sales@parker.com

www.parker.com/clicktoconnect

Push-Button Coupling Features:

- Easy-to-use Push-to-Connect design, with audible “CLICK” upon connection
- Push-button operation
- Valved and non-valved options
- Various port configurations available including NPT, BSPT, Hose Barb, and Bulkhead
- Compact and lightweight ergonomic design
- Resistant to many chemicals
- Suitable for gas handling applications



ENGINEERING YOUR SUCCESS.

NEW
PARKER

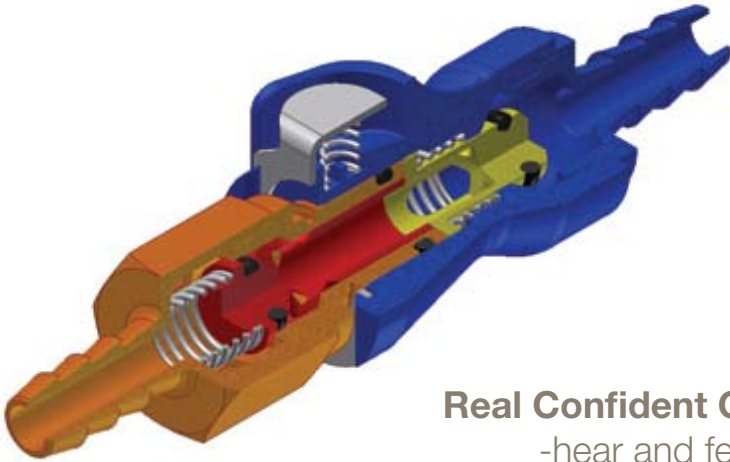
PUSH-BUTTON THERMOPLASTIC

COUPLINGS



Audible and tactile "CLICK"

lets user know the connection is complete.



Real Easy Connections

- one hand operation
- simply push together both halves

Real Confident Operation

- hear and feel the "click"

Real Quick Disconnections

- press the push-button and separate the halves



REAL EASY.

REAL SAFE.

REAL SECURE.



Specifications

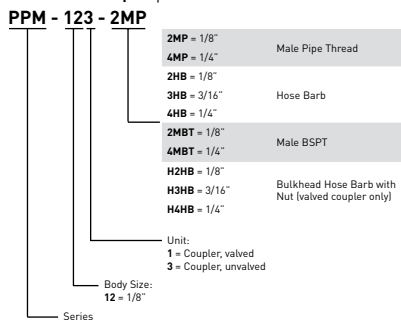


PPM & PPL Series Specs						
	Flow Capacity	Rated Pressure	Temperature	Material: Body	Material: Latch & Springs	O-ring
PPM Series	1/8"	Vacuum to 120 psig	-40° F to +180° F	Acetal Copolymer	Stainless Steel	Nitrile
PPL Series	1/4"		-40° C to +82° C			

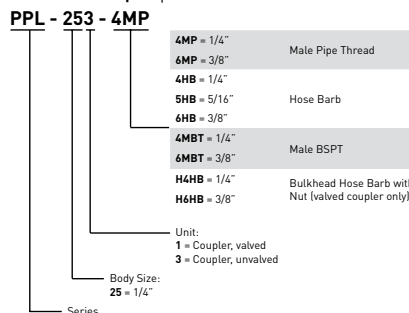


How to order Parker's push-button thermoplastic couplings

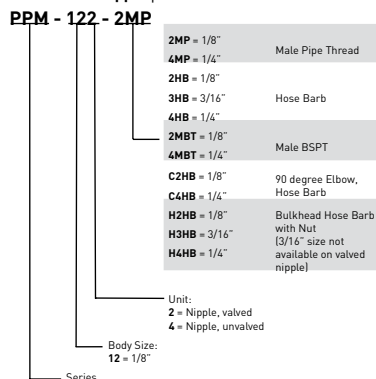
PPM Series Coupler part number code:



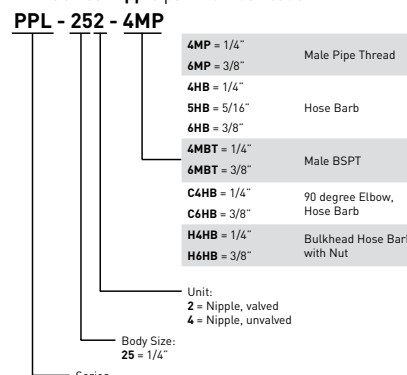
PPL Series Coupler part number code:



PPM Series Nipple part number code:



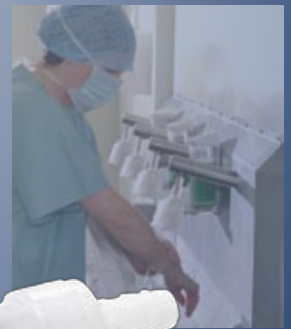
PPL Series Nipple part number code:



Push-Button Thermoplastic Coupling Markets



- Medical
- Laboratory
- Chemical Handling
- Food and Beverage
- Industrial





PPM & PPL Series Couplings are general purpose, thermoplastic couplings. The push-to-connect feature and push-button release provides simple one-handed operation. The couplers and nipples are available with or without valves. Standard seal material is Nitrile.

Applications include:

- Medical Devices
- Laboratory Equipment
- Chemical Processing
- Food and Beverage
- Industrial
- Process Equipment

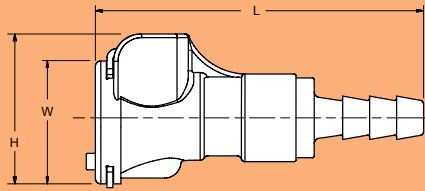
PPM & PPL Series Specs						
	Flow Capacity	Rated Pressure	Temperature	Material: Body	Material: Latch & Springs	O-ring
PPM Series	1/8"	Vacuum to 120 psig	-40° F to +180° F -40° C to +82° C	Acetal Copolymer	Stainless Steel	Nitrile
PPL Series	1/4"					

PPM & PPL Series Couplers - Male Thread											
			Male NPT Thread				Male BSPT Thread				
Body Size	Valved or Non-Valved	Part Number	Port End	L	W	H	Part Number	Port End	L	W	H
1/8	Valved	PPM-121-2MP	1/8" NPT	1.00	0.62	0.80	PPM-121-2MBT	1/8" BSPT	1.00	0.62	0.80
1/8	Valved	PPM-121-4MP	1/4" NPT	1.10	0.62	0.80	PPM-121-4MBT	1/4" BSPT	1.10	0.62	0.80
1/8	Non-Valved	PPM-123-2MP	1/8" NPT	1.00	0.62	0.80	PPM-123-2MBT	1/8" BSPT	1.00	0.62	0.80
1/8	Non-Valved	PPM-123-4MP	1/4" NPT	1.10	0.62	0.80	PPM-123-4MBT	1/4" BSPT	1.10	0.62	0.80
1/4	Valved	PPL-251-4MP	1/4" NPT	1.15	0.75	0.93	PPL-251-4MBT	1/4" BSPT	1.15	0.75	0.93
1/4	Valved	PPL-251-6MP	3/8" NPT	1.15	0.75	0.93	PPL-251-6MBT	3/8" BSPT	1.15	0.75	0.93
1/4	Non-Valved	PPL-253-4MP	1/4" NPT	1.15	0.75	0.93	PPL-253-4MBT	1/4" BSPT	1.15	0.75	0.93
1/4	Non-Valved	PPL-253-6MP	3/8" NPT	1.15	0.75	0.93	PPL-253-6MBT	3/8" BSPT	1.15	0.75	0.93



PPM & PPL Series

Couplers - Hose Barb



Hose Barb

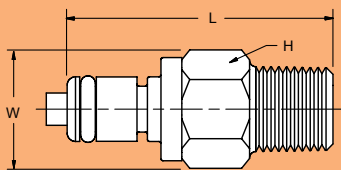


Bulkhead Hose Barb with Nut

Body Size	Valved or Non-Valved	Port End	Part Number	L	W	H	Part Number	L	W	H
1/8	Valved	1/8" Hose Barb, In-line	PPM-121-2HB	1.65	0.62	0.80	PPM-121-H2HB	1.65	0.62	0.80
1/8	Valved	3/16" Hose Barb, In-line	PPM-121-3HB	1.80	0.62	0.80	PPM-121-H3HB	1.80	0.62	0.80
1/8	Valved	1/4" Hose Barb, In-line	PPM-121-4HB	1.80	0.62	0.80	PPM-121-H4HB	1.80	0.62	0.80
1/8	Non-Valved	1/8" Hose Barb, In-line	PPM-123-2HB	1.65	0.62	0.80				
1/8	Non-Valved	3/16" Hose Barb, In-line	PPM-123-3HB	1.80	0.62	0.80				
1/8	Non-Valved	1/4" Hose Barb, In-line	PPM-123-4HB	1.80	0.62	0.80				
1/4	Valved	1/4" Hose Barb, In-line	PPL-251-4HB	1.90	0.75	0.93	PPL-251-H4HB	1.88	0.75	0.93
1/4	Valved	5/16" Hose Barb, In-line	PPL-251-5HB	1.95	0.75	0.93				
1/4	Valved	3/8" Hose Barb, In-line	PPL-251-6HB	1.90	0.75	0.93	PPL-251-H6HB	1.88	0.75	0.93
1/4	Non-Valved	1/4" Hose Barb, In-line	PPL-253-4HB	1.90	0.75	0.93				
1/4	Non-Valved	5/16" Hose Barb, In-line	PPL-253-5HB	1.95	0.75	0.93				
1/4	Non-Valved	3/8" Hose Barb, In-line	PPL-253-6HB	1.90	0.75	0.93				

PPM & PPL Series

Nipples - Male Thread



Male NPT Thread



Male BSPT Thread

Body Size	Valved or Non-Valved	Part Number	Port End	L	W	Hex	Part Number	Port End	L	W	Hex
1/8	Valved	PPM-122-2MP	1/8" NPT	1.27	0.50	0.50	PPM-122-2MBT	1/8" BSPT	1.27	0.50	0.50
1/8	Valved	PPM-122-4MP	1/4" NPT	1.29	0.56	0.56	PPM-122-4MBT	1/4" BSPT	1.29	0.56	0.56
1/8	Non-Valved	PPM-124-2MP	1/8" NPT	1.03	0.49	0.49	PPM-124-2MBT	1/8" BSPT	1.03	0.49	0.49
1/8	Non-Valved	PPM-124-4MP	1/4" NPT	1.13	0.56	0.56	PPM-124-4MBT	1/4" BSPT	1.13	0.56	0.56
1/4	Valved	PPL-252-4MP	1/4" NPT	1.50	0.62	0.62	PPL-252-4MBT	1/4" BSPT	1.50	0.62	0.62
1/4	Valved	PPL-252-6MP	3/8" NPT	1.65	0.75	0.75	PPL-252-6MBT	3/8" BSPT	1.65	0.75	0.75
1/4	Non-Valved	PPL-254-4MP	1/4" NPT	1.26	0.62	0.62	PPL-254-4MBT	1/4" BSPT	1.26	0.62	0.62
1/4	Non-Valved	PPL-254-6MP	3/8" NPT	1.25	0.75	0.75	PPL-254-6MBT	3/8" BSPT	1.25	0.75	0.75

